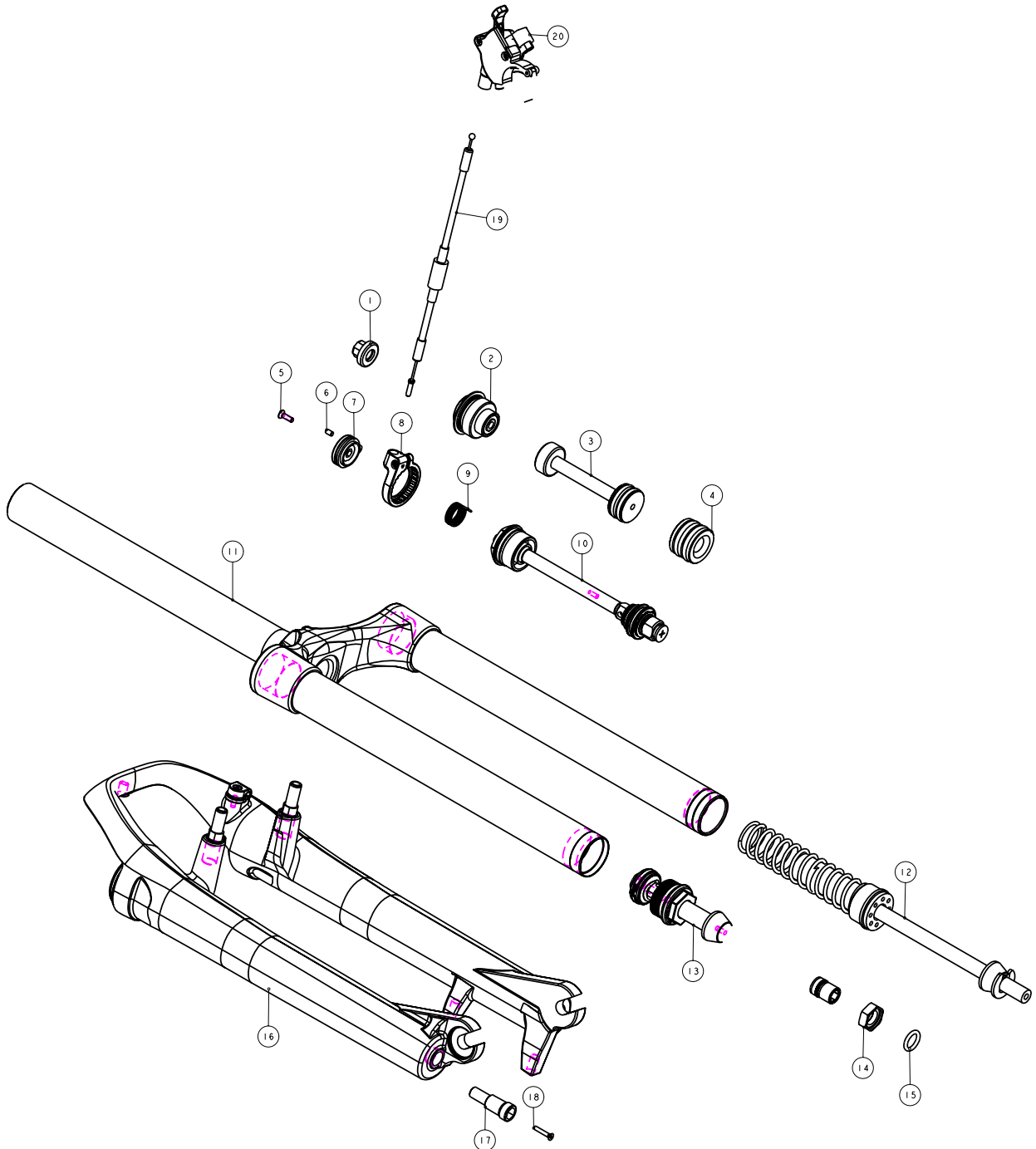


機械加工尺寸一般規格公差				REV.	DATE	DESCRIPTION	CHANGER	CHECK
尺寸	公差	尺寸	公差					
1 << 10	±0.2	1 << 10	±0.2					
10.001 << 100	±0.3	10.001 << 100	±0.3					
100.001 << 250	±0.5	100.001 << 250	±0.5					
250.001 << 500	±0.8	250.001 << 500	±0.8					
500 <	±1.3	500 <	±1.3					



1	M5GAE9DA183	Air tap cap	1
2	H5GAE1A027-1	Fixed Guide Assembly	1
3	H5GAEFB2426-1	Guidable air rod	1
4	H5GDPBD26	Piston	1
5	M5R22-2Y11-100	bolt	1
6	M5GDP7ARL-013	Grub screw	1
7	M5GDPAK03	Turn Base	1
8	H5GDP8ARL6	Remote Outline Base	1
9	M5GDP7ARL-020	Corkscrew Coil Spring	1
10	H5GDPAK30B-1	Openbase Lockout Assembly	1
11	H5GCR9U11TA2600	Crown Assembly	1
12-1	H5GAEJA213-1	Rod Assembly(for 80mm travel)	1
12-2	H5GAEJA203-1	Rod Assembly(for 100mm travel)	1
13	H5GDP9AD265-3	Rebound Assembly	1
14	M5GAC66	bolt	1
15	M5GOR8-240-1080	oring	1
16-1	H5GFRU91-0100	Outer Leg Assembly(with pivot)	1
16-2	H5GFRU91-1100	Outer Leg Assembly(without pivot)	1
17	M5GAE9AZ034	Rebound knob	1
18	I022A-02515	bolt	1
19	H5GDP9ARL5	Remote control Assembly	1
20	H5GDP9ARL3	Remote Outline Assembly	1

NO.	PART NO.	ENGLISH NAME	QTY
MATERIAL	TBD	0'TY	1
UNIT	MM	SCALE	0.500
FASHING	TREAT	DRAW NO	PG9U7 rev. 1.0
DESIGN	DRAWING	CHECK	CONFIG
NAME		PARTSLIST	
RST			